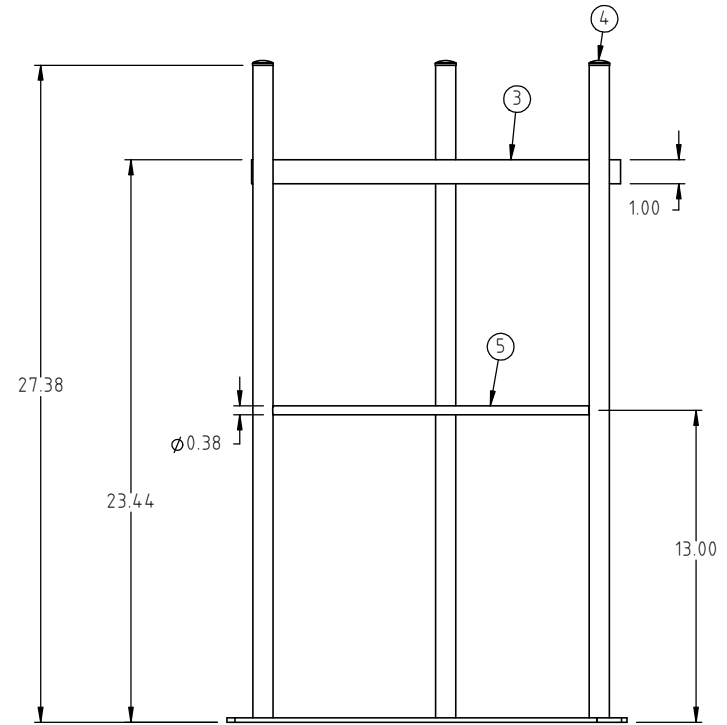
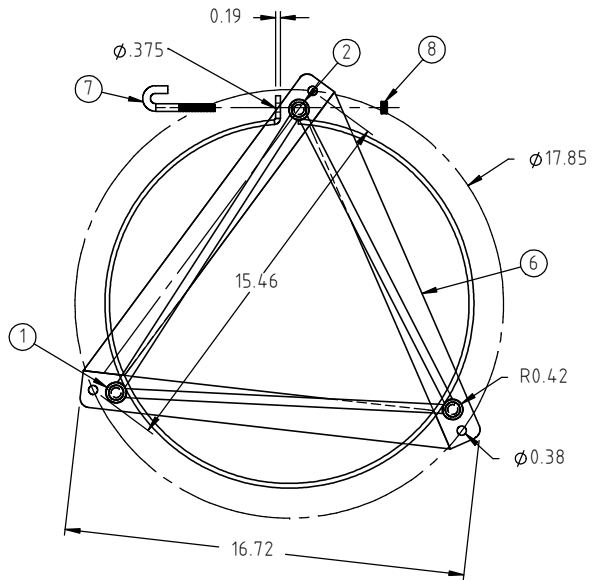


© DEN HARTOG INDUSTRIES, INC.

Copyright. All information furnished within this document, electronic file or design correspondence is the property of Den Hartog Industries, Inc. and shall not be used, disclosed to others or copied without the expressed written consent of Den Hartog Industries, Inc.

KEY	PART NUMBER	DESCRIPTION	QTY.
1	INFD7-10-ST-1	LEG PIPE	2
2	INFD7-10-ST-2	LEG PIPE W/ HOLE	1
3	INFD7-10-ST-3	RING	1
4	12582	1/2" PIPE PLUG	3
5	INFD7-10-ST-5	SIDE ROD	3
6	14060	BASE STRAP	3
7	J.313X3.00	J-BOLT, 5/16" X 3"	1
8	10280	NUT, 5/16" NYLOK ZINC	1

INFD7/10-ST



				DRAWN / DATE ADH 1/6/14	MATERIAL
				APPROD. / DATE REH 1/27/14	
REV	DESCRIPTION	BY / DATE	CCN		
ALL DIMENSIONS ARE IN DECIMAL INCHES TOLERANCES UNLESS OTHERWISE SPECIFIED		THIRD ANGLE PROJECTION ANSI 14.5M		SHOT WEIGHT:	NOTES:
POLYETHYLENE		METAL DECIMAL ± .125" FRACTION ± 1/4" ANGLE ± 1°		SHIPPING WEIGHT: 12 LBS	
±1% @ 68°F				FINISH: POWDER COATING, BLACK TILE, 4-0012	



Den Hartog
INDUSTRIES, INC.

Acra Roto-Mold Injection Molding Blow Molding Sowjoy

4010 HOSPERS DRIVE S. BOX 425, HOSPERS, IOWA 51238-0425

DESCRIPTION INDUCTOR STAND FOR 7 AND 10 GALLON FULL DRAIN TANKS	
SCALE N.S.	PART NO. INFD7/10-ST